

Vertex 222

222 nm | IP65 | Corner fixture | Fixed or portable

General product specifications

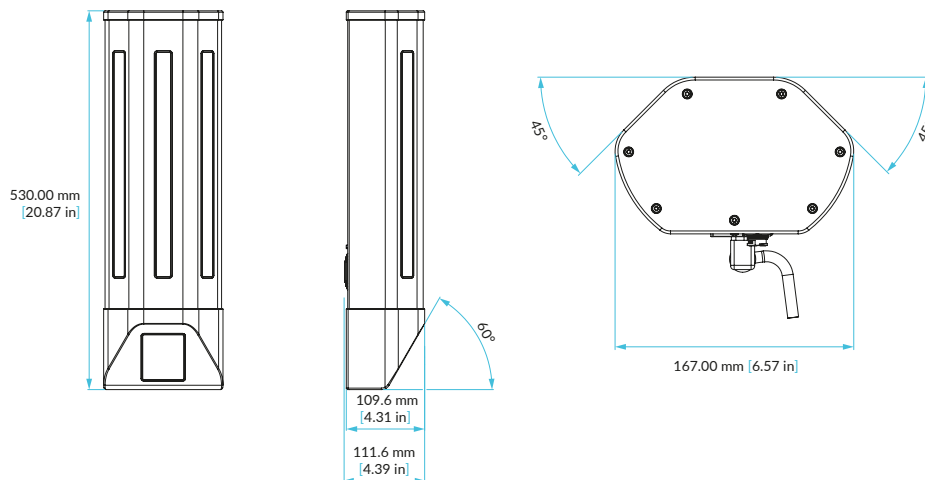
Light source	Krypton Chloride Excimer Lamp
Wavelength	222 nm
Output	460 mW (Typical)
Input voltage	90–264 V AC
Mode (programmable)	Continuous / duty cycle / motion activated
Max power consumption	120 W
Weight	4.5 kg (9.92 lbs)
Dimensions	167 x 136.5 x 530 mm (6.57 x 5.37 x 20.86 in)
Power lead (PVC)	3 x 0.75 mm ² (18 AWG)
Operating temperature	0° to + 40° C (32° to 104° F)
Ambient humidity	5–90% RH Non condensing
Materials	Aluminium, quartz glass ¹



1. Chemically-inert, non-porous, transparent quartz glass with high-temperature resistance.

Vertex 222

Gallery:



In compliance with:

International Standard

ISO 15858	UV-C Devices – Safety information – permissible human exposure.
IEC 62471	Photobiological safety of lamps and lamp systems.
IEC PAS 63313 ED1	Position statement on germicidal UV-C irradiation - UV-C safety guidelines (see Global Lighting Association).

International Guidelines

ACGIH® (American Conference of Governmental Industrial Hygienists)	2021 and 2022 TLV (Threshold Limit Values) & BEI (Biological Exposure Indices) for chemical substances and physical agents.
--	---